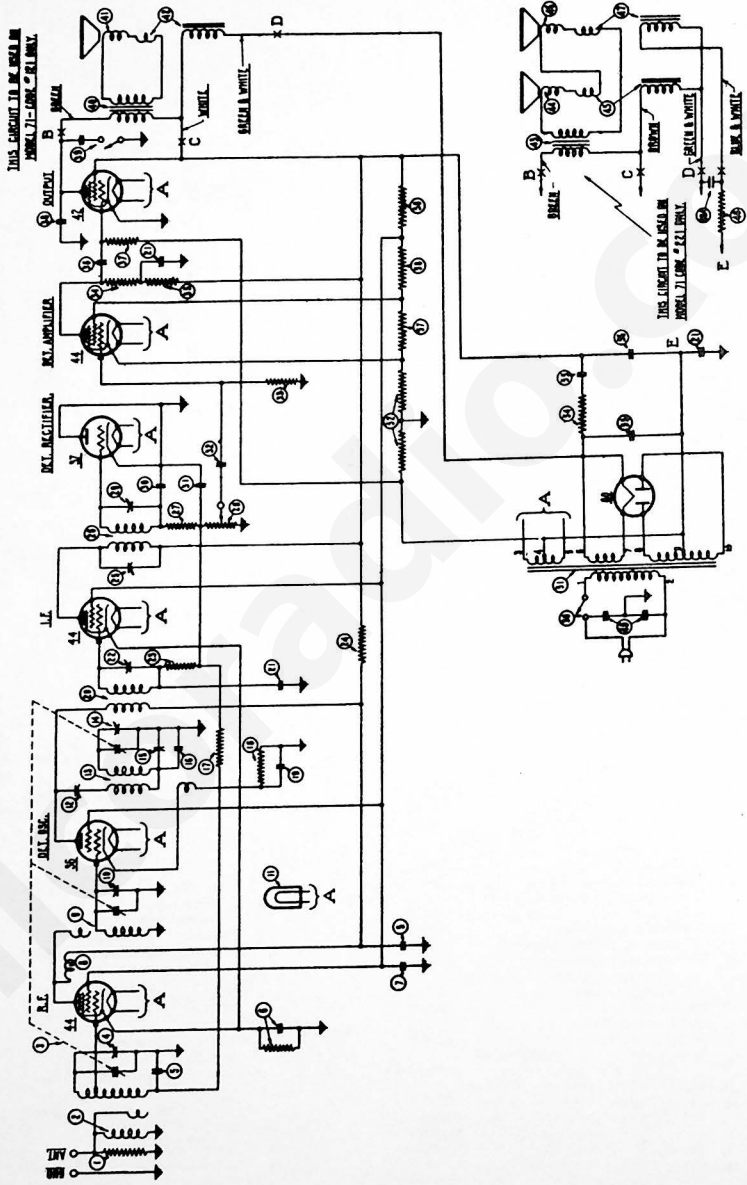
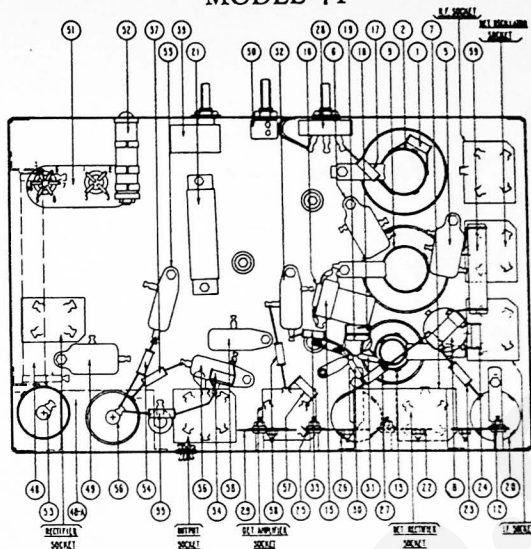


Model 71



MODEL 71



Replacement Parts for Model 71 Series

① Resistor (10,000 ohms)	4412	Ⓜ Speaker Field and Bucking Coil assembled with pot—(K-7) single speaker models	02761
② R. F. Transformer	04339	Ⓝ Output Transformer — Twin speaker models	2584
③ Tuning Condenser (50-60 cycles)	04733	Ⓞ Voice Coil and cone assembly	02823
④ Tuning Condenser (25-40 cycles)	04734	Ⓟ Speaker Field and Bucking Coil assembled with pot—(K-10) Twin speaker models	02767
⑤ Condenser (.05 Mfd. double)	3615-AF	Ⓠ Voice coil and cone assembly	02823
⑥ Condenser (.09 Mfd. and 200 ohm resistor)	4989-L	Ⓡ Speaker field assembled with pot—(K-9) Twin speaker models	02782
⑦ Condenser (.5 Mfd.)	3583	Ⓢ Resistor (5620 ohms) wire wound — Twin speaker models	6451
⑧ R. F. Choke	04198	ⓉA Condenser (.25 Mfd.) Twin Speaker Models	04997
⑨ Detector Transformer	04185	Ⓤ Condenser (.015 Mfd. Double)	3793-H
⑩ Compensating Condenser—Detector—Part of tuning condenser assembly		Ⓡ On-off Switch	6498
⑪ Pilot Light	6608	Ⓢ Power Transformer—50-80 cycles—single speaker	6454
⑫ Compensating Condenser—1st I. F. primary	04000-M	Ⓣ Power Transformer—25-40 cycles—single speaker	6455
⑬ Oscillator Coil	04186	Ⓤ Power Transformer—50-60 cycles—230 volts—single speaker	6456
⑭ Compensating Condenser—High frequency—Part of tuning condenser assembly		Ⓡ Power Transformer—50-60 cycles—twin speaker	6457
⑮ Compensating condenser—Low frequency	04000-F	Ⓢ Power Transformer—25-40 cycles—twin speaker	6458
⑯ Condenser (410 Mmf.) (Yellow and Orange)	5120	Ⓣ Power Transformer—50-60 cycles—230 volts—twin speaker	6459
⑰ Resistor (1,000,000 ohms)	4409	Ⓤ Resistor—wire wound (245 ohms and 185 ohms)	6452
⑱ Resistor (15,000 ohms)	6208	Ⓡ Electrolytic Condenser (6 Mfd.) (50-60 cycles) single speaker	6453
⑲ Condenser (700 Mmf.) (White and Yellow)	4520	Ⓢ 8 Mfd. Twin speaker	6707
Ⓛ First I.-F. Transformer	04190	Ⓣ Resistor (10,000 ohms)	4412
Ⓜ Filter Condenser Bank (2 — .05, .25 Mfd.)	04731	Ⓤ Condenser (.05 Mfd.)	3815-G
Ⓝ Compensating Condenser—1st I. F. secondary	04000-M	Ⓡ Electrolytic Condenser (6 Mfd.) (50-60 cycles) single speaker	4918
Ⓞ Resistor (1,000,000 ohms)	4409	Ⓢ 8 Mfd. Twin speaker	3708
Ⓟ Resistor (1,000 ohms)	5837	Ⓣ Resistor (5,000 ohms)	5310
Ⓠ Compensating Condenser—2nd I. F. primary	04000-M	Ⓤ Resistor (5,000 ohms)	6450
Ⓡ Second I. F. Transformer	04319	Ⓡ Resistor (13,000 ohms)	5387
Ⓢ Resistor (99,000 ohms)	4411	Ⓢ Tube Shield (small)	04735
Ⓣ Volume Control	6499	Ⓣ Tube Shield (large)	03063
Ⓤ Compensating Condenser—2nd I. F. secondary	04000-M	Ⓤ Knob (large)	03064
Ⓡ Condenser (110 Mmf.) (Blue and Golden Yellow)	4519	Ⓡ Knob (medium)	03437
Ⓢ Condenser (110 Mmf.) (Blue and Golden Yellow)	4519	Ⓢ Knob (small)	5262
Ⓣ Condenser (.01 Mfd.)	3903-J	Ⓣ Knob Spring (large)	4147
Ⓤ Resistor (1,000,000 ohms)	4409	Ⓡ Knob Spring (small)	4897
Ⓡ Resistor (70,000 ohms)	5385	Ⓢ Grid Clip	5026
Ⓢ Resistor (25,000 ohms) Single Speaker	4516	Ⓣ Four Prong Socket Assembly	4956
Ⓣ Resistor (51,000 ohms) Twin Speaker Models	4518	Ⓡ Five Prong Socket Assembly	6417
Ⓤ Condenser (.01 Mfd.)	3903-N	Ⓢ Six Prong Socket Assembly	03031
Ⓡ Resistor (490,000 ohms)	4517	Ⓣ Dial Complete	6435
Ⓢ Condenser (.01 Mfd.)	3903-AA	Ⓡ Bezel	W-468
Ⓣ Tone Control	04757	Ⓢ Chassis Mounting Screw	W-315
Ⓤ Output Transformer — single speaker models	2580	Ⓡ Mounting Washer	5189
Ⓡ Voice Coil and Cone assembly.	02823	Ⓢ Rubber Washer	6440
		Ⓡ Mounting Clamp	2600
		Ⓢ Cone Retaining Ring	